

# **FISHER & PAYKEL**

**DRYER**

---

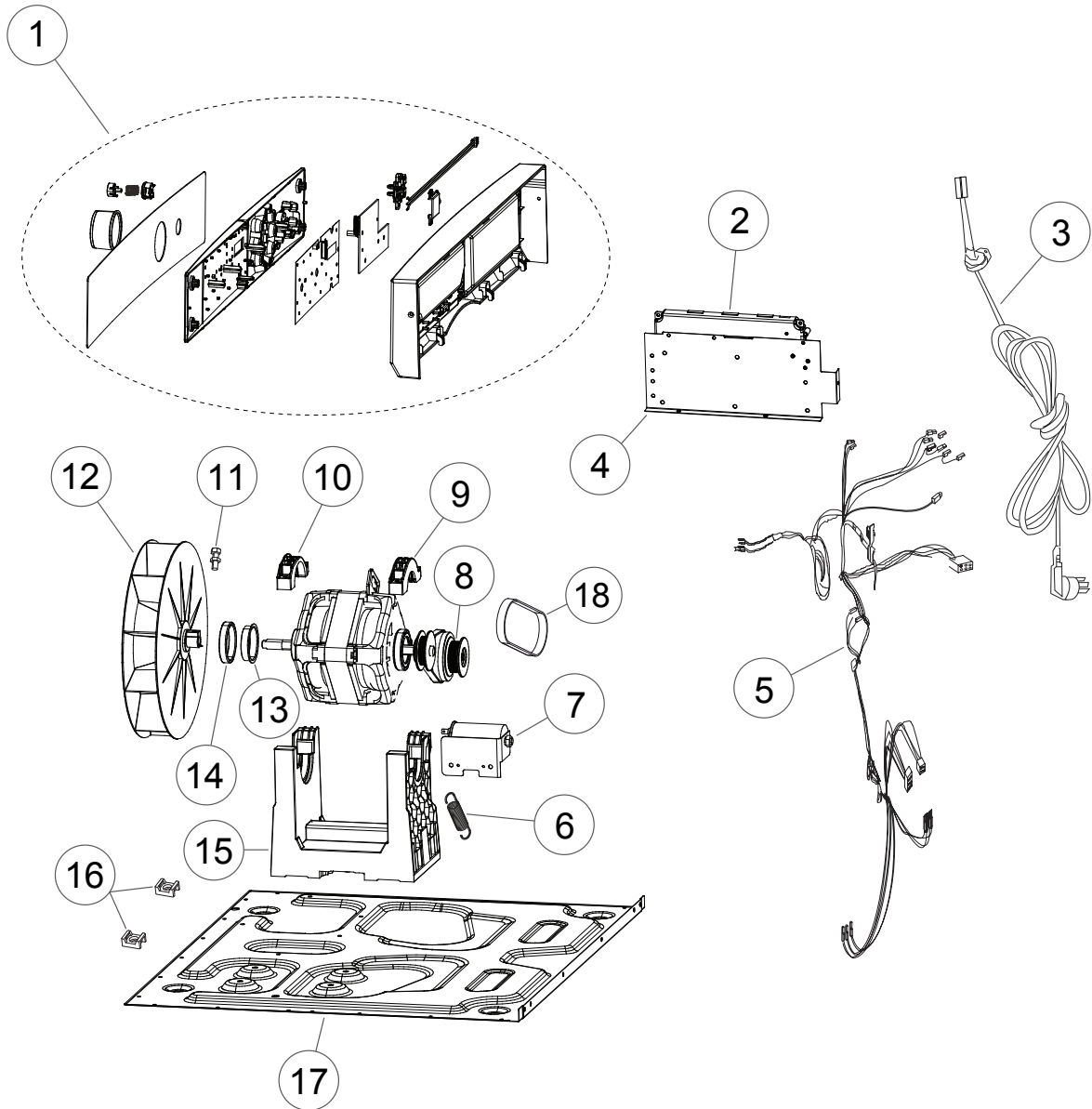
**DE7060P1 FP AA**

**PRODUCT CODE: 92270-A**

**PARTS MANUAL**

**AA**

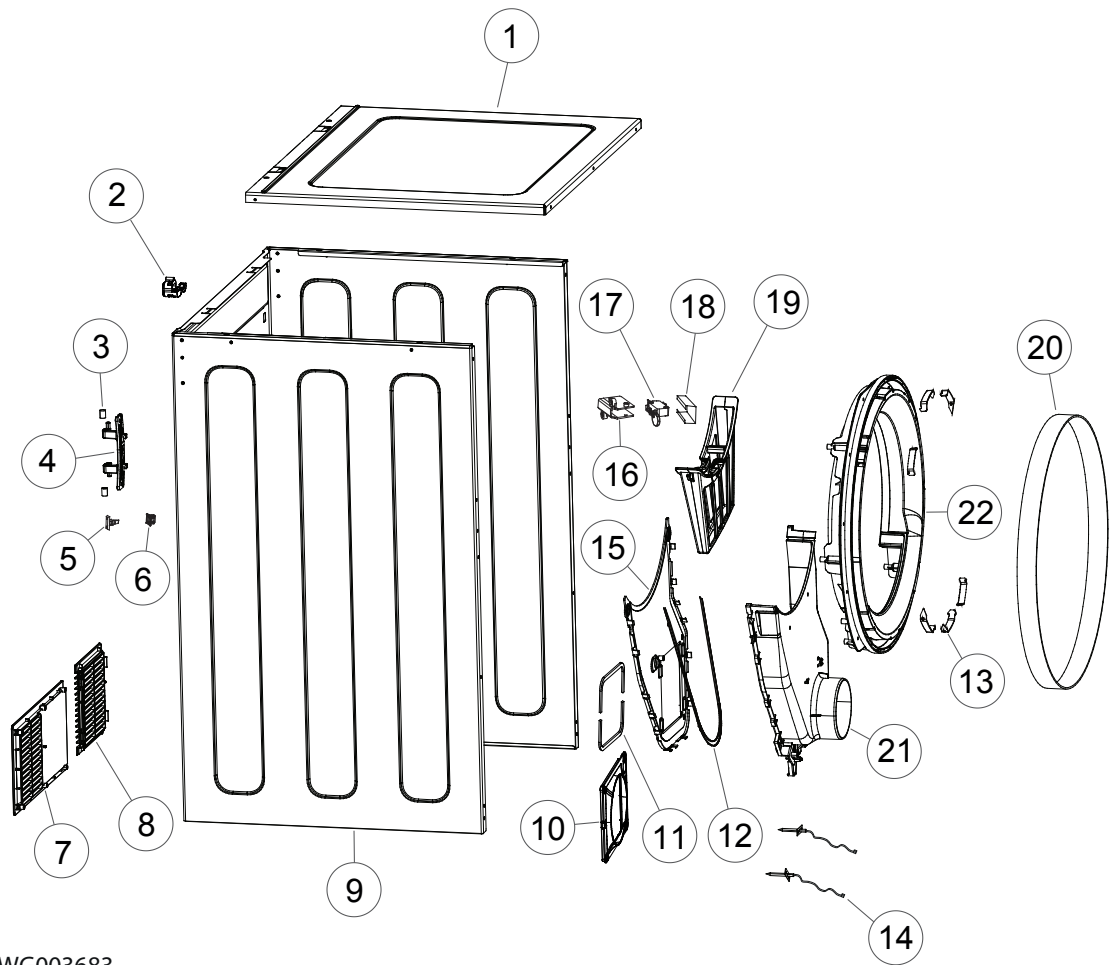
# ELECTRONICS & MOTOR COMPONENTS



DWG003682

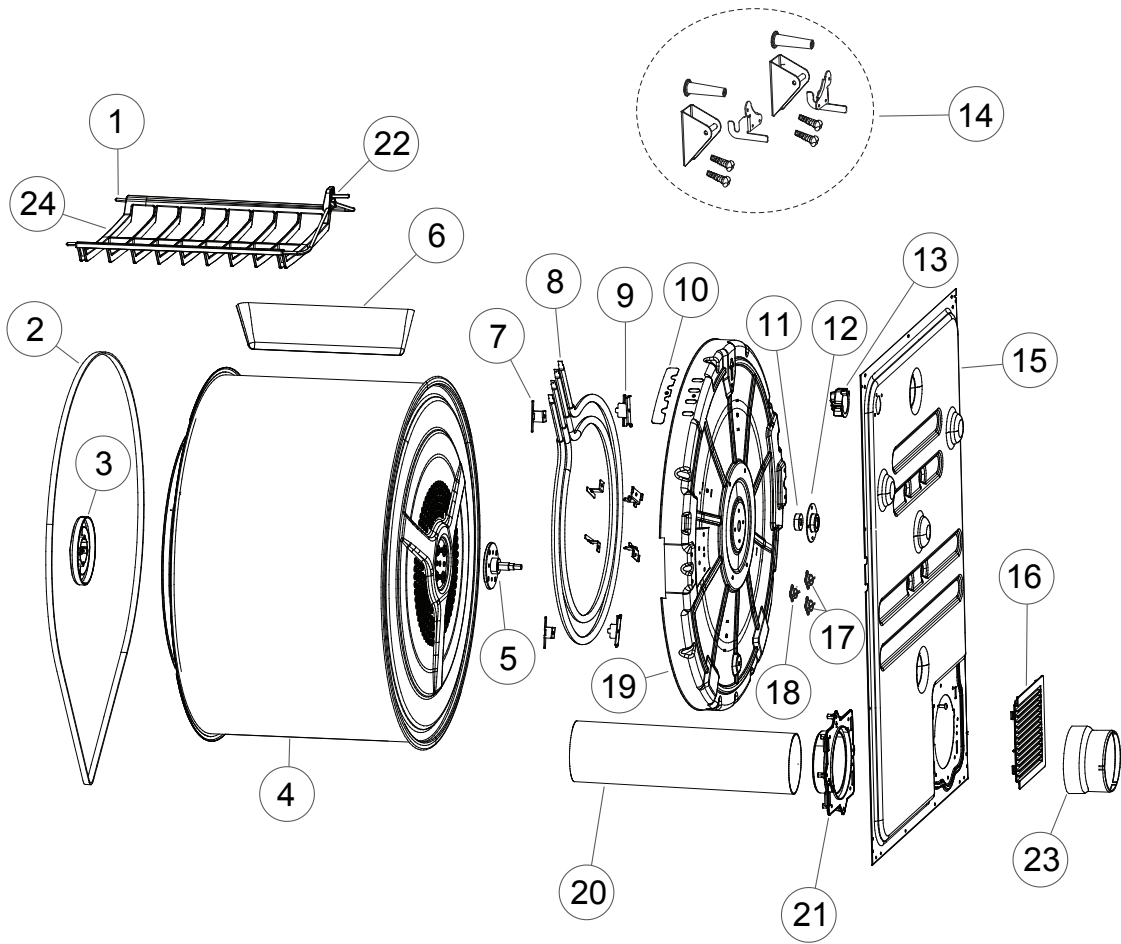
DWG 003682

# CABINET & VENTING COMPONENTS



DWG003683

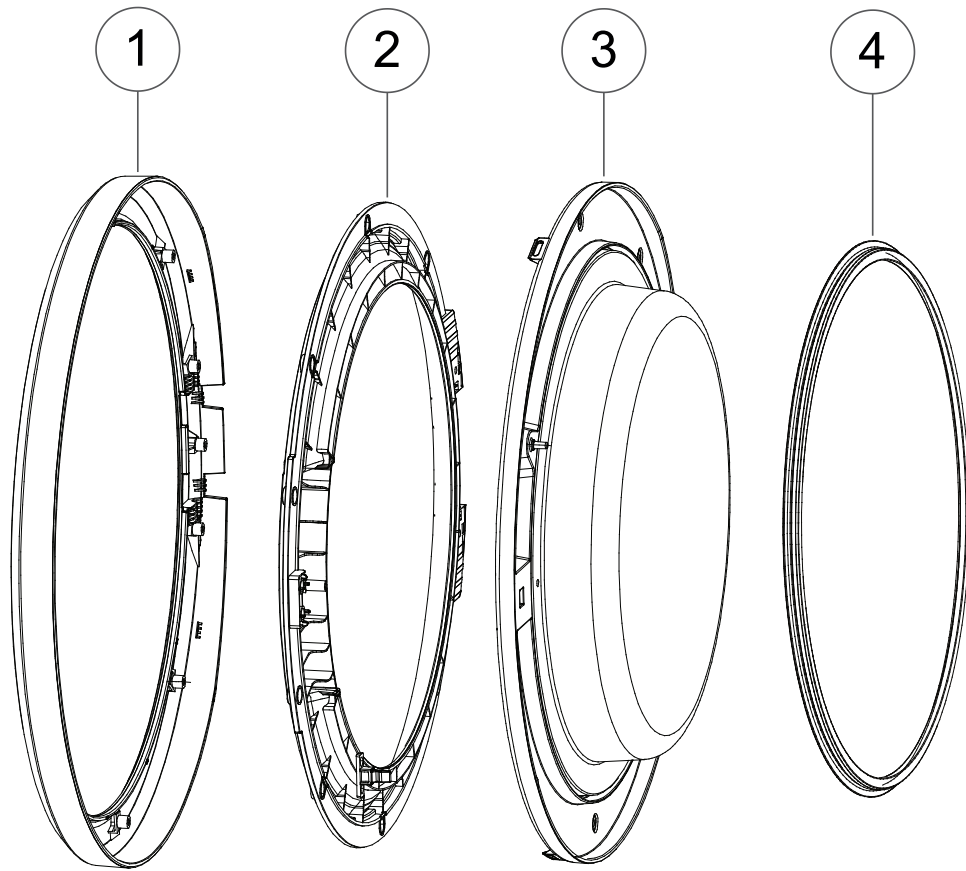
# DRUM COMPONENTS



DWG003684

# DOOR COMPONENTS

---



DWG003685